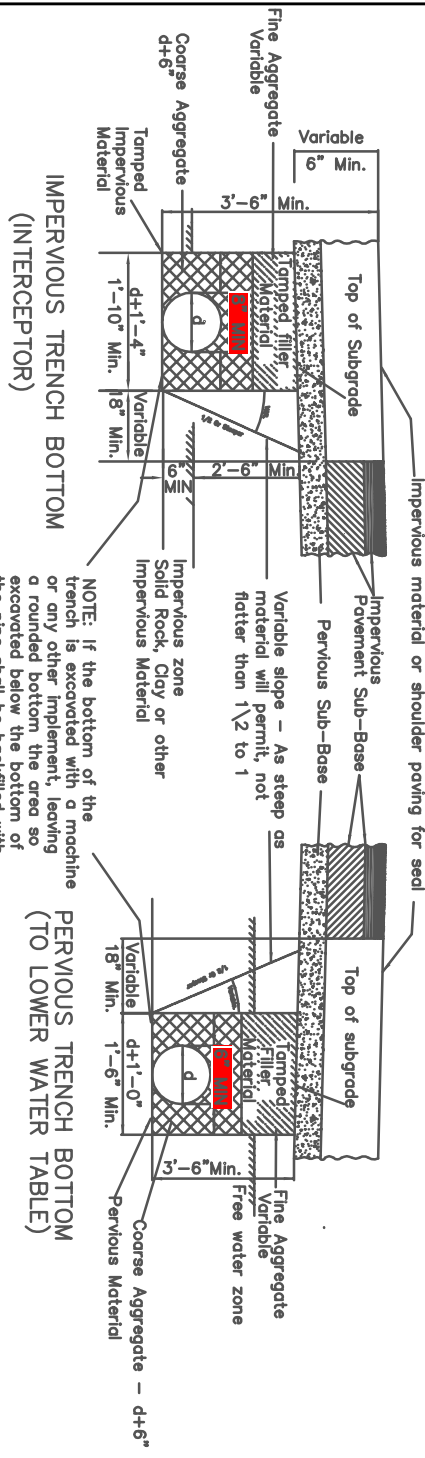
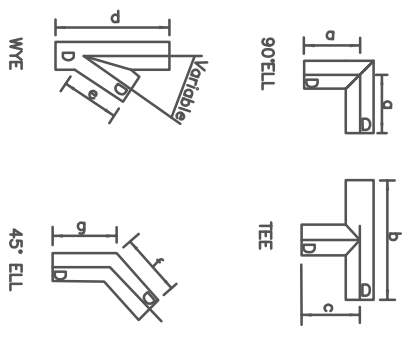


PERFORATED UNDERDRAIN



NOTE: ImperVIOUS material or shoulder paving for seal

NOTE: If the bottom of the trench is excavated with a machine or any other implement, leaving a rounded bottom, the area so excavated below the bottom of the pipe shall be backfilled with a stable material, thoroughly compacted, leaving a firm flat surface. Each finished trench shall have a flat bottom.



GENERAL NOTES:

Underdrains may be placed in shoulder grade or under driveway aprons. See Typical Section and Plan and Profile Sheets for special conditions.

Trench shall be shpped with sides as nearly vertical as is practical and with a flat bottom.

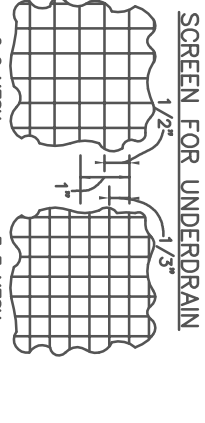
Minimum gradient for underdrain pipe shall be 0.15%.

The lower row of perforations in the pipe shall be placed above the bottom of the trench as shown.

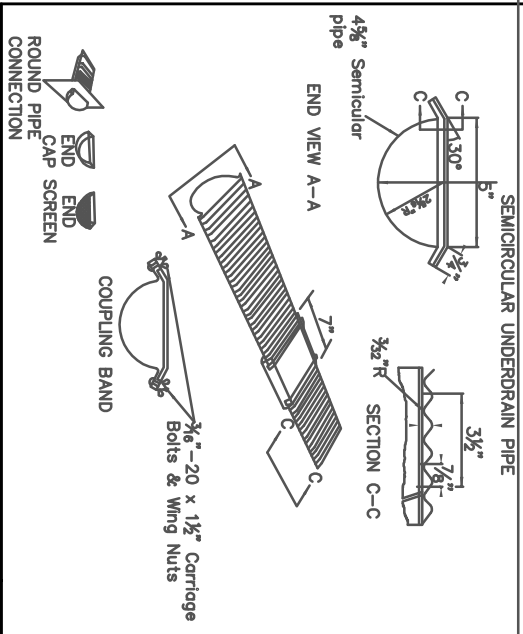
Bead ends of pipe shall be closed with metal caps or concrete plugs. Outfall ends of pipe shall be equipped with screen.

Standard fittings for pipe made with suitable standard fittings (G thru S) shown above on the lateral connections for the various kinds and sizes of perforated underdrain shall be in agreement with the Manufacturer standard practice.

Markers: Each outlet end of the drainage system shall be marked with a 5"x4"x4" Perservative treated wood post placed 3" in the ground in a vertical position of the extreme outlet end and adjacent to the side of the pipe.



NOTE-Perforated underdrain pipe will be installed complete prior to placing pervious Sub-Base material.



FULTON COUNTY STANDARD DETAIL 520
STANDARD PERFORATED UNDERDRAIN

DATE	REVISIONS	DATE	REVISIONS
8/08	RC		

Screen to be placed over the end of pipe as shown and secured firmly in place by wrapping galvanized wire around pipe and screen. Other methods for securing screen firmly over end of pipe may be used if approved by the Engineer.



FULTON COUNTY PUBLIC WORKS
141 PRYOR ST. ATLANTA, GA. 30303
404-612-7400 FAX: 404-224-0498

DRAWING NO. 520