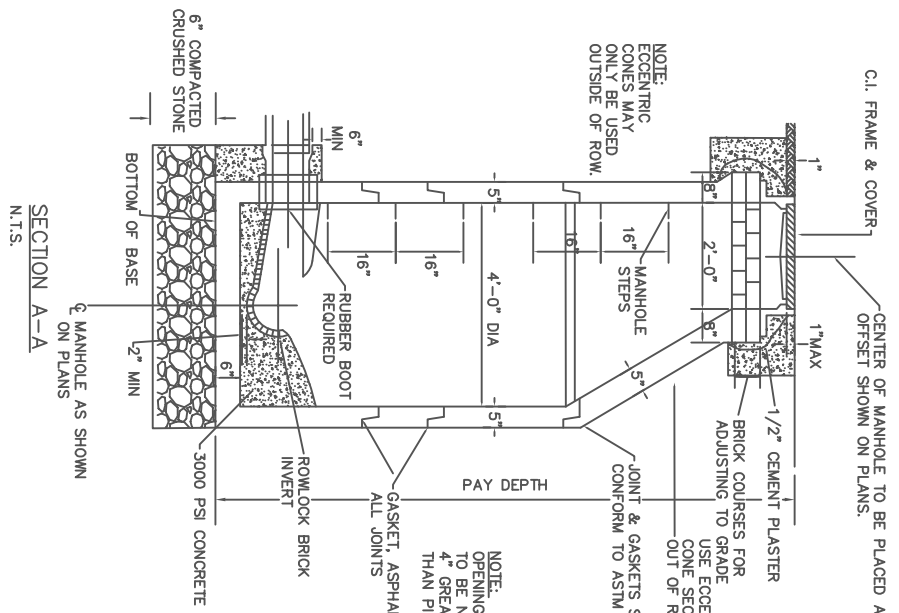


NOTE:  
FOR OUTFALL LINES, MANHOLE TOP TO BE 18" TO 24" ABOVE SURROUNDING GROUND SURFACE.

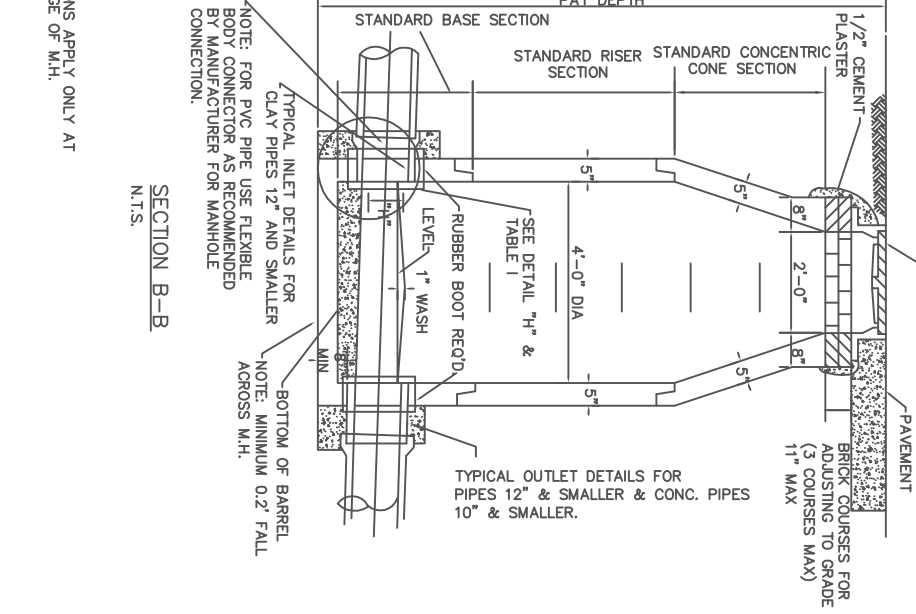
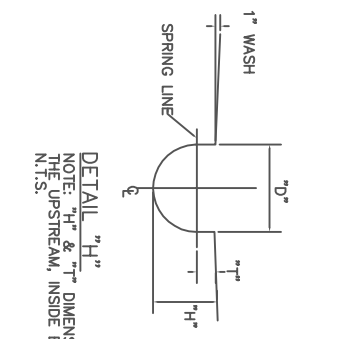
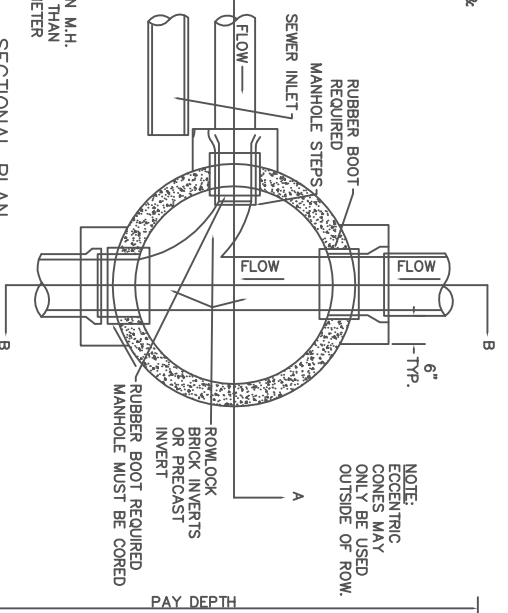
ALL MANHOLES WITHIN TEN FEET OF PUBLIC RIGHT OF WAY SHALL BE TOPPED WITH A HEAVY DUTY TRAFFIC BEARING RING & COVER MOUNTED FLUSH TO EXISTING GRADE. LOADING SPECS. MAY BE REQUIRED FROM THE MANUFACTURER (RING & COVER).\*\*



SECTIONAL PLAN  
STANDARD PRECAST 4'-0" DIAMETER MANHOLE  
N.T.S.

TABLE 1

"D"	"H"	"H"
8"	2 1/2"	6 1/2"
10"	3 1/2"	8"
12"	4 1/2"	9 1/2"
15"	5 1/2"	12"
18"	6 1/2"	14 1/2"
21"	7 1/2"	17"
24"	8"	19 1/2"
27"	9"	21 1/2"
30"	10"	24"
33"	11"	26 1/2"
36"	11"	29"



FULTON COUNTY STANDARD DETAIL 114  
STANDARD SEWER MANHOLES  
PRECAST MANHOLES

DATE	REVISIONS	DATE	REVISIONS
8/08	NRR		



FULTON COUNTY PUBLIC WORKS  
141 PRYOR ST. ATLANTA, GA. 30303  
404-612-7400 FAX: 404-224-0498