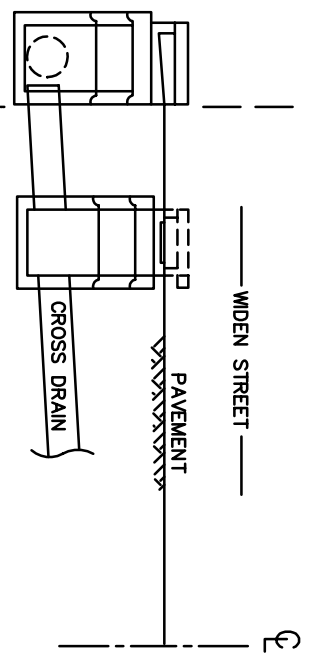
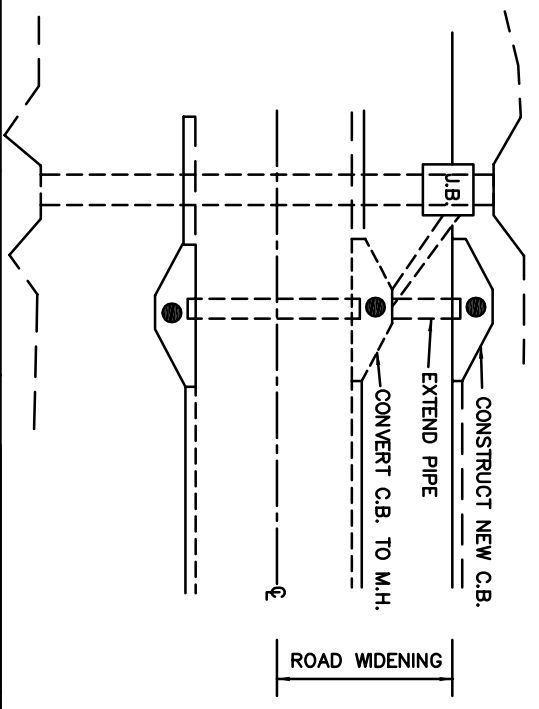


ALL PIPES WITHIN R/W SHALL BE RCP.
THIS INCLUDES PIPE PARALLEL TO ROAD.
SEE STANDARD # 511
FOR DIMENSION TABLE



NOTE:
REMOVE EXISTING TOP & THROAT OF CATCH BASIN
ADD BRICK COURSES FOR GRADE ADJUSTMENT COMPLETE BY ADDING STANDARD MANHOLE FRAME & COVER (#460 LBS. AND SET IN 8" MIN. REINFORCED CONC. SLAB)

**STREET WIDENING
CONVERTING CATCH BASIN TO MANHOLE**



FULTON COUNTY STANDARD DETAIL 509
DROP INLETS, BRICK
&
CATCH BASIN EXTENSION

DATE	REVISIONS	DATE	REVISIONS
8/08 RC			

DGS/DRN/CHK: CMS
APPROVED: _____
DATE: 12-2-05



FULTON COUNTY PUBLIC WORKS
141 PRYOR ST. ATLANTA, GA. 30303
404-612-7400 FAX: 404-224-0498

DRAWING NO. 509