

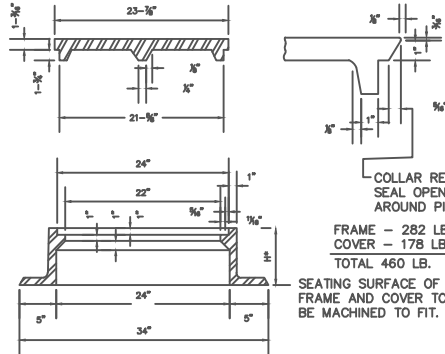
NOTE REQUIRED:
CONCRETE STRENGTH TEST MAY BE REQUIRED
FOR ALL POURED IN PLACE CONCRETE.

REFER TO STANDARD DETAIL 111A FOR RING AND COVER DETAILS
FOR PAVEMENT LOCATIONS AND LANDSCAPE LOCATIONS.

NOTE:
ALL M.H. COVERS ON OUTFALL MH'S OUTSIDE OF ROADWAY R/W
TO BE CAST IN PLACE IN CONE SECTIONS OF MHS.
350# FRAMES & COVERS MAY BE USED OUTSIDE OF STREETS AND ROADS.
COVER TO BE SIMILAR TO 460# FRAME TO BE REDUCED IN HEIGHT AND
THICKNESS. MANHOLES OUTSIDE R/W SHALL BE 24" ABOVE GRADE.

WATERTIGHT C.I. MANHOLE FRAME AND COVER

CORRUGATION AND 2 PICK HOLE IN COVER, NO PERFORATIONS.
N.T.S.



COLLAR REQ. TO
SEAL OPENING
AROUND PIPE TYP.

FRAME - 282 LB. (8")
COVER - 178 LB.
TOTAL 460 LB.

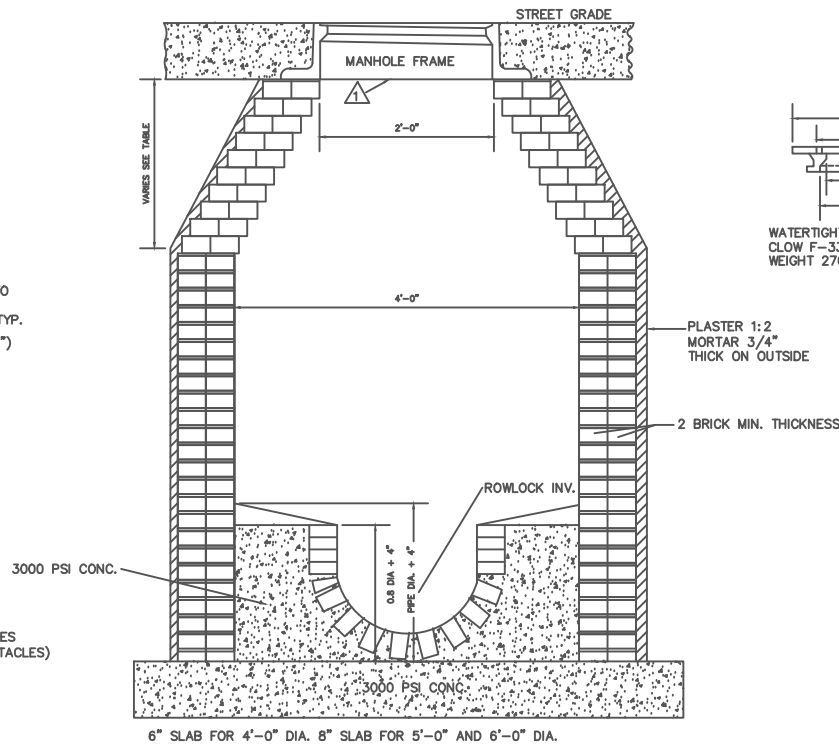
SEATING SURFACE OF
FRAME AND COVER TO
BE MACHINED TO FIT.

460# M.H. FRAME AND COVER

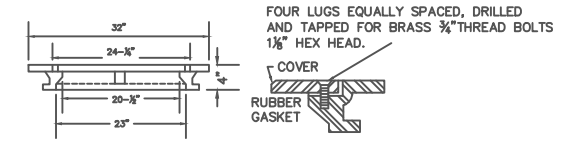
FOR USE IN STREETS AND ROADS
N.T.S.

NOTES:

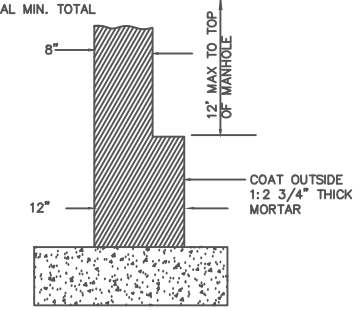
1. BRICK MANHOLES SHOULD ONLY BE USED IN SPECIAL CIRCUMSTANCES
(WHERE THE USE OF PRECAST SECTORS MAY BE AFFECTED BY OBSTACLES)
AND WHEN APPROVED BY COUNTY ENGINEER.



ELEVATION AT \odot MANHOLE
SEAL M.H. RING TO STRUCTURE WITH TWO CONCENTRIC RINGS OF ASPHALTIC MASTIC.



WATERTIGHT MANHOLE FRAME & COVER TO BE
CLOW F-3370 OR EQUAL MIN. TOTAL
WEIGHT 270 LBS.



WALL DETAIL FOR DEPTH OVER 12'-20'

NOTE:
FOR DEPTH OVER 20' INCREASE
WALL THICKNESS TO 16"

FULTON COUNTY STANDARD DETAIL 111
BRICK MANHOLE DETAIL AND
MANHOLE FRAME AND COVER

DATE	REVISIONS	DATE	REVISIONS
8/08	NRR		
1/18	TPM		

DGS/DRN/CHKD: REB
APPROVED: REW
DATE: 12-2-05



FULTON COUNTY PUBLIC WORKS
141 PRYOR ST. ATLANTA, GA. 30303
404-612-7400 FAX: 404-224-0498

DRAWING NO.
111