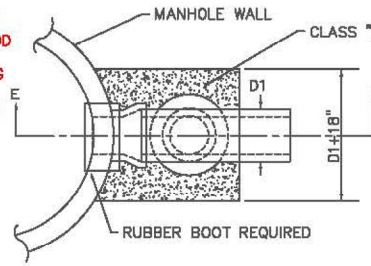
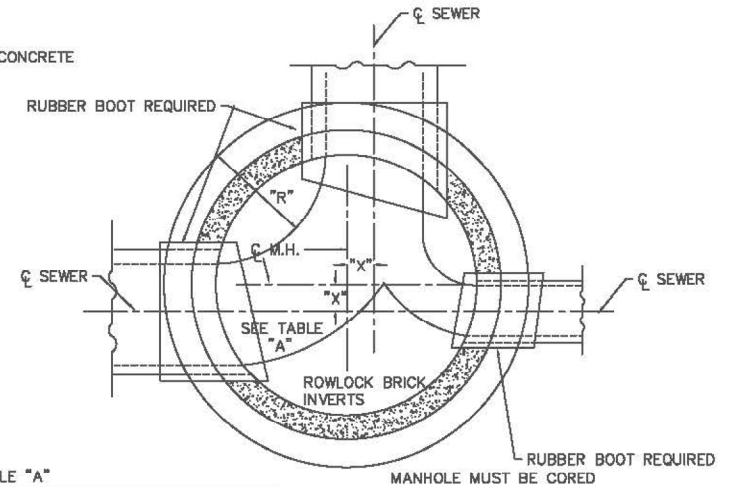


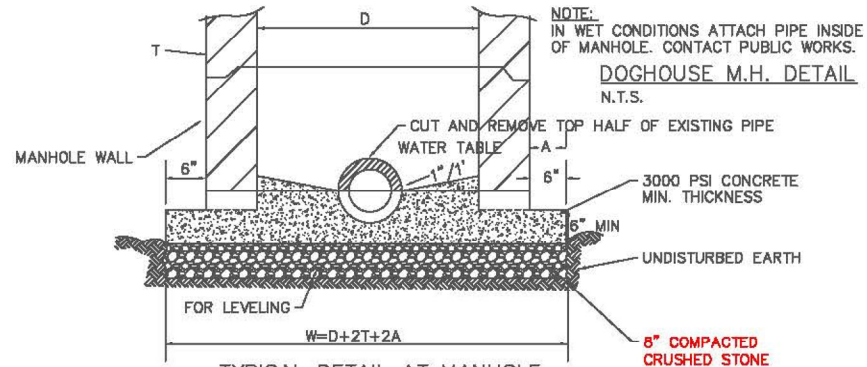
SECTION E-E  
N.T.S. TYPICAL VERTICAL DROP INLET AT MANHOLE  
(OUTSIDE DROP)



PART PLAN



SECTIONAL PLAN  
N.T.S.



DOGHOUSE M.H. DETAIL  
N.T.S. TYPICAL DETAIL AT MANHOLE  
CONSTRUCTED OVER EXISTING PIPE  
N.T.S.

TABLE "A"

STANDARD PRECAST MANHOLES				
SCHEDULE OF GOVERNING DIMENSIONS				
PIPE SIZE	ANGLE	M.H. DIAMETER	"R"	"X"
8" thru 12"	0° to 90°	4'	1'-0"	0"
15"	0° to 60°	4'	1'-3"	0"
15"	60° to 90°	4'	1'-3"	6"
18"	0° to 60°	4'	1'-6"	0"
18"	60° to 90°	4'	1'-4"	8"
21"	0° to 60°	4'	1'-9"	0"
21"	60° to 90°	5'	1'-9"	9"
24"	0° to 80°	4'	2'-0"	0"
24"	60° to 90°	5'	1'-6"	9"
27"	0° to 60°	5'	2'-3"	0"
27"	60° to 90°	6'	2'-0"	1'-0"
30"	0° to 60°	5'	2'-6"	0"
30"	60° to 90°	6'	1'-9"	8"
36"	0° to 90°	PRE-BED PIPE, M.H. BASE & ELBOW UNIT		

FULTON COUNTY STANDARD DETAIL 115  
STANDARD SEWER MANHOLES  
PRECAST CONCRETE

DATE	REVISIONS	DATE	REVISIONS
5/05	NRR		
1/16	TPM		

DGS/DRN/CHKD: REB  
APPROVED: REW  
DATE: 12-2-05



FULTON COUNTY PUBLIC WORKS  
141 PRYOR ST. ATLANTA, GA. 30303  
404-812-7400 FAX: 404-224-0498

DRAWING NO.  
115