

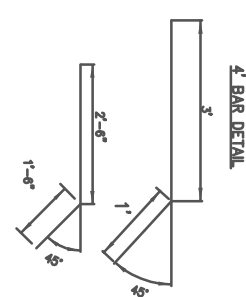
NOTE REQUIRED:  
CONCRETE STRENGTH TEST REQUIRED FOR ALL POURED IN PLACE CONCRETE.

NOTE:  
FOR ALL CATCH BASINS, 1/2" EXPANSION JOINT MATERIAL SHALL BE PLACED AROUND THE CATCH BASIN WHERE SIDEWALK OR MEDIAN PAVEMENT IS PLACED ADJACENT TO THE CATCH BASIN

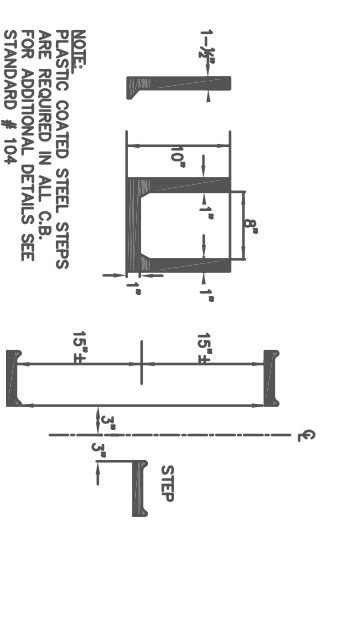
SECTION C-C  
(CAST IN PLACE)  
N.T.S.

IN ANY SUBDIVISION THE OPTION IS TO USE EITHER ALL ONLINE CATCH BASINS OR ALL ONE FOOT OFFSET CATCH BASINS.

ONE FOOT OFFSET REQUIRED IN ALL CUL-DE-SACS.



INSIDE DIAMETER OF PIPE IN INCHES	MINIMUM H
12-18	4'-10"
24	5'-6"
30	6'-2"



NOTE:  
PLASTIC COATED STEEL STEPS ARE REQUIRED IN ALL C.B. FOR ADDITIONAL DETAILS SEE STANDARD # 104

FULTON COUNTY STANDARD DETAIL 502  
CATCH BASIN DOUBLEMENT  
ONE FOOT OFFSET  
(FACE OF CURB)

DATE	REVISIONS	DATE	REVISIONS
8/08	RC		



FULTON COUNTY PUBLIC WORKS  
141 PRYOR ST. ATLANTA, GA. 30303  
404-612-7400 FAX: 404-730-6325

DRAWING NO. 502