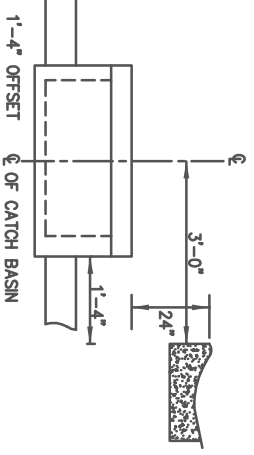
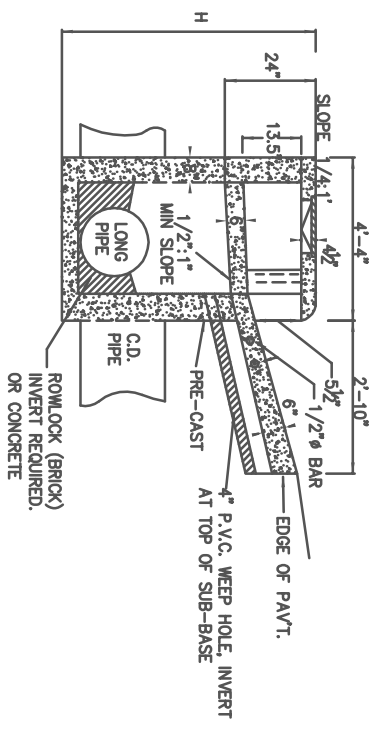


SECTION A-A  
(N.T.S.)



NOTES:

- TOLERANCES -
- 1) OPENING FOR CATCH BASIN - 5 1/2" - 7" MAX
- 2) TOTAL DIMENSIONS FOR TOPS ± 2" (LENGTH) ± 2" (WIDTH)
- COLLAR WALLS - FULL 360° - REQUIRED AT ALL JUNCTIONS OF STORM PIPE TO BOXES.
- IF THE DESIGN OF CATCH BASIN DOES NOT MEET THE REQUIREMENTS - YOU MAY NOT USE PRE-CAST STRUCTURES AND THE CATCH BASIN MUST BE BUILT OUT OF BRICK.

PIPE SIZE	H
18"	5'-0"
24"	5'-6"
30"	6'-0"

FULTON COUNTY STANDARD DETAIL 503  
STANDARD FOR CATCH BASINS WITH  
ROLLED CURB & GUTTER -10" OFFSET  
(FOR PRIVATE DEVELOPMENT ONLY)

DATE	REVISIONS	DATE	REVISIONS
8/08	RC		

DES/DRN/CHKD: CMS  
APPROVED: \_\_\_\_\_  
DATE: 12-02-05



FULTON COUNTY PUBLIC WORKS  
141 PRYOR ST. ATLANTA, GA. 30303  
404-612-7400 FAX: 404-730-6325

DRAWING NO. 503