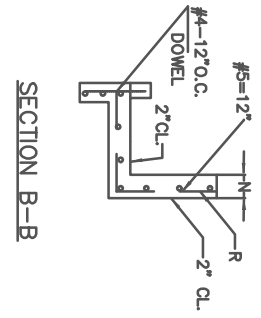
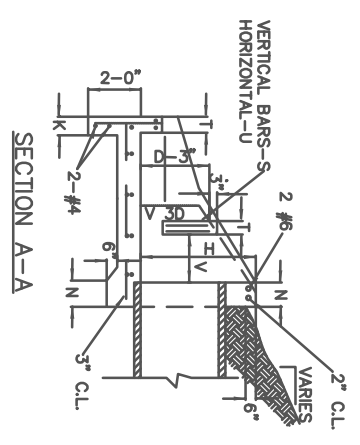
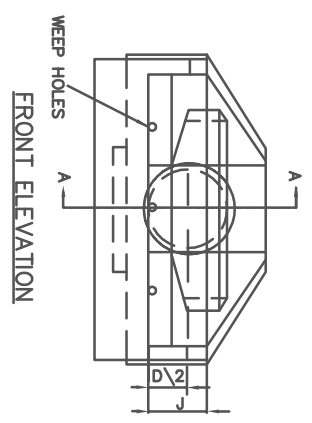
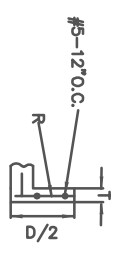
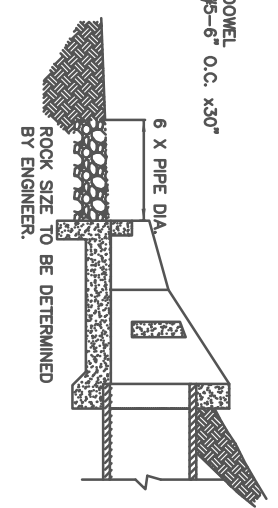
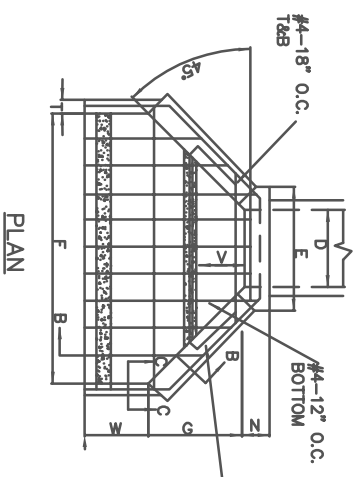


D	E	F	G	H	J	K	L	N	V	W	T	R	S	U
18"	3'-0"	7'-6"	3'-0"	3'-0"	2'-0"	8"	8"	8"	2'-0"	1'-0"	6"	# 5 -12" O.C.	# 4-12" O.C.	# 4 -8" O.C.
21"	3'-4"	7'-9"		3'-3"					2'-0"					
24"	3'-8"	8'-0"		3'-6"					2'-0"	1'-6"				
27"	3'-11"	8'-3"		4'-0"					2'-0"	2'-0"				
30"	4'-2"	8'-6"		4'-0"	2'-1"				2'-0"	2'-0"				
36"	4'-8"	10'-0"	3'-6"	4'-6"	2'-3"		10"		2'-3"	2'-6"				
42"	5'-3"	11'-6"	4'-0"	5'-0"	2'-9"				2'-4"	3'-0"	8"			# 5-8" O.C.
48"	5'-10"	13'-0"	4'-6"	5'-6"	3'-0"			12"	2'-6"	3'-6"				
54"	6'-5"	14'-6"	5'-0"	6'-0"	3'-6"	9"	12"		2'-8"	5'-0"		# 6-8" O.C.		
60"	7'-0"	16'-0"	5'-6"	6'-6"	4'-3"				2'-11"					
66"	7'-7"	17'-6"	6'-0"	7'-0"	4'-6"			14"	3'-0"					
72"	8'-2"	19'-0"	6'-6"	7'-0"	5'-8"				3'-2"	5'-6"				

- NOTES:
1. HEADWALL PARALLEL TO CENTER LINE OF HIGHWAY WITHIN RIGHT OF WAY SHALL BE FLARED-END (SEE G.D.O.T. STD #1120).
2. CONCRETE SHALL BE 3,000 PSI 28 DAY STR.
3. WEEP HOLES SHALL BE 3" DIA. AT F/4 O.C.
4. RANDOM RUBBLE 3" TO 12" IN DIA.



FULTON COUNTY STANDARD DETAIL 516
ENERGY DISSIPATOR
(ALTERNATE)

DATE	REVISIONS	DATE	REVISIONS
8/08	RC		

DSS /DRN/CHKD: GMS
APPROVED: REW
DATE: 12-2-05

FULTON COUNTY PUBLIC WORKS
141 PRYOR ST. ATLANTA, GA. 30303
404-612-7400 FAX: 404-224-0498

DRAWING NO. 516